

SWACHH STATION SWACHH BHARAT



INSTALLING
DUSTBINS
AT PLATFORMS & IN
CIRCULATING AREAS
OF STATION PREMISES





NEED FOR EFFICIENT DISPOSAL OF WASTE

Lack of Sufficient Number of Dustbins in and around Station Premises results in

- ▶ Littering of waste generated
- ▶ Unhygienic surroundings
- ▶ Damage to aesthetic beauty
- ▶ Increase in cost of waste collection and segregation

Issue of Waste Segregation

- ▶ Lack of adequate number of dustbins for dry/ wet waste segregation
- ▶ Low awareness among public

**RAILWAYS BID
FOR
SWACHH STATION,
SWACHH BHARAT**

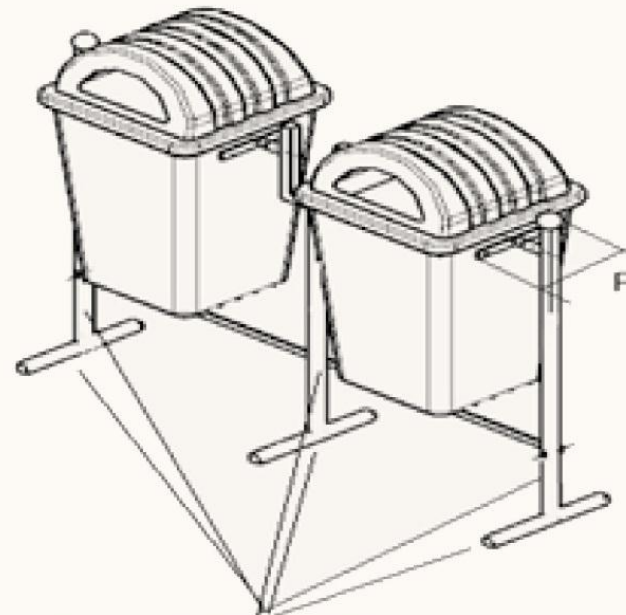
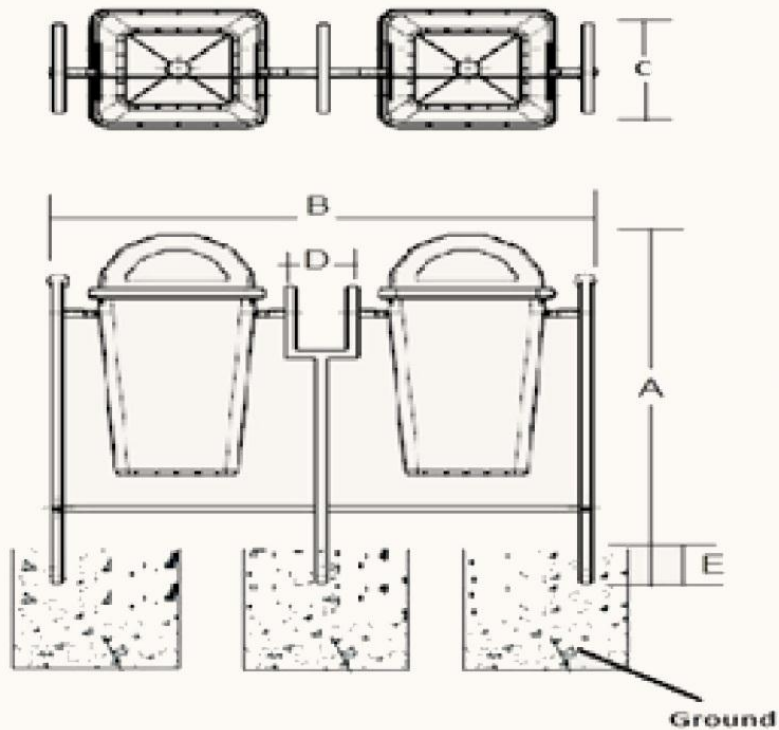
Dustbins for Cleaner Station Premises

Railways to supply and install Dustbins Sets (Pair of blue and green dustbins) at Platforms & in Circulating areas of Station Premises

Each Set to cost around ₹4500 including supply and installation

Space to be provided by Railways for installation

SCHEMATIC DIAGRAM OF DUSTBIN SET



Round Pipe- 38 mm

Patti 20X3mm

- A- 1270 mm
- B- 1170 mm
- C- 180 mm
- D- 170 mm
- E- 125 mm
- F- 200 mm

PARTNERSHIP FOR ENVIRONMENTAL SUSTAINABILITY

Opportunity for corporates to collaborate with Railways for sustainable management of waste

Corporates can fund the project as part of their CSR

Railways to ensure proper usage and disposal of collected waste

VALUE PROPOSITION FOR CSR PARTNERS



Name and Logo
of Sponsoring
Companies to be
Displayed



Huge
Opportunity for
Corporates in
Reaching out to a
Wider Geography
and Beneficiaries
across the
Country



Enhanced
Business
Reputation and
Public Image of
the Corporates



Contribution
to Larger
Mission of
**SWACHH
BHARAT**



THANK YOU